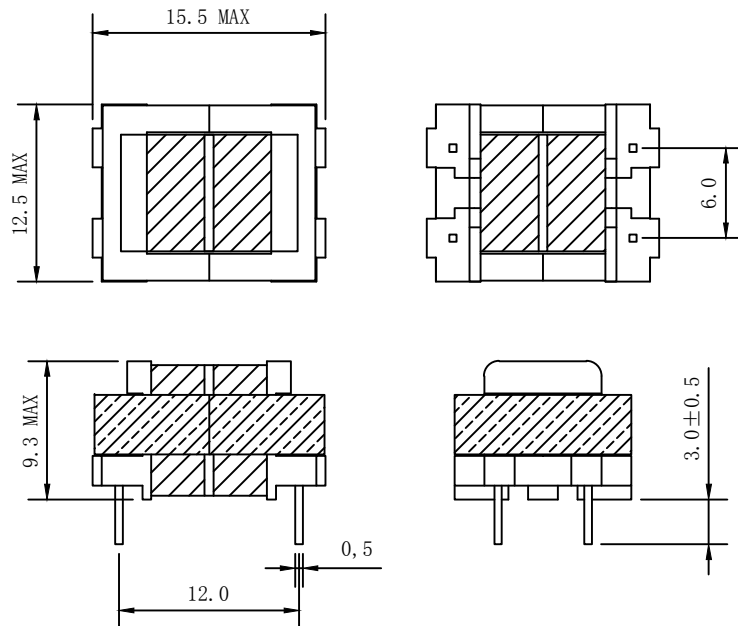


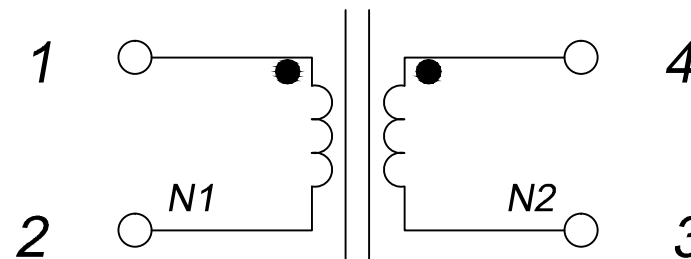
CUSTOMER TERMINAL	ROHS	Lead (Pb) -free
	YES	YES



### 1. Mechanical Dimensions



### 2. Schematic Diagram



### 3. Material List

Core:FW10K-EE12  
 Bobbin:FWB1201 (2+2pin)  
 Wire:2UEW  
 Operating Temperature: -30 to 115°C

### 4. Electrical Specification

Inductance:  $L(1-2)=(4-3)=30\text{mH min } 1\text{KHZ } 0.3\text{V}$   
 HI-POT: coil-core AC 1000V 1mA 5S  
 N1-N2 AC 1000V 1mA 5S

REV.	DATE	 Convention Placement	DRW.	Drawing Title: <b>TRANSFORMER</b> Customer P/N:	Part No:
0	00/00		CHK.		FWPTEE12H303N
<b>RoHS</b>		<a href="http://www.ferriwo.com">www.ferriwo.com</a>	APP.		Specification Sheet 1 of 1